

SPECIFICATIONS

PXIe-6547

100 MHz Digital Waveform Generator/Analyzer

This document provides the specifications for the PXIe-6547.



Hot Surface If the PXIe-6547 has been in use, it may exceed safe handling temperatures and cause burns. Allow the PXIe-6547 to cool before removing it from the chassis.



Note All values were obtained using a 1 m cable (SHC68-C68-D4 recommended). Performance specifications are not guaranteed when using longer cables.

Contents

Definitions and Conditions.....	2
Channels.....	2
Generation Channels.....	3
Acquisition Channels.....	5
Timing.....	6
Sample Clock.....	6
Generation Timing.....	8
Generation Provided Setup and Hold Times.....	11
Acquisition Timing.....	13
CLK IN.....	16
STROBE.....	18
CLK OUT.....	18
DDC CLK OUT.....	19
Reference Clock (PLL).....	19
Waveform.....	19
Memory and Scripting.....	19
Triggers.....	21
Events.....	23
Software.....	23
Driver Software.....	23
Application Software.....	23
NI Measurement Automation Explorer.....	24
Power.....	24
Physical.....	24
I/O Panel Connectors.....	25

Environment.....	25
Compliance and Certifications.....	26
Safety.....	26
Electromagnetic Compatibility.....	26
CE Compliance	27
Online Product Certification.....	27
Environmental Management.....	27

Definitions and Conditions

Specifications are valid for the range 0 °C to 55 °C unless otherwise noted.

Maximum and *minimum* specifications are warranted not to exceed these values within certain operating conditions and include the effects of temperature and uncertainty unless otherwise noted.

Typical specifications are unwarranted values that are representative of a majority (3σ) of units within certain operating conditions and include the effects of temperature and uncertainty unless otherwise noted.

Characteristic specifications are unwarranted values that are representative of an average unit operating at room temperature.

Nominal specifications are unwarranted values that are relevant to the use of the product and convey the expected performance of the product.

All specifications are Typical unless otherwise noted.

Channels

Data

Number of channels	
SDR selected (data clocked using Sample clock rising or falling edge)	32
DDR selected (data clock using both Sample clock edges) ¹	16 per direction
Extended data mode selected ²	24
Direction control	Per channel Per cycle

¹ Generation and acquisition sessions may be independently configured for DDR operation on either the lower data channels (<0..15>) or the upper data channels (<16..31>).

² Used for hardware comparison and cycle-to-cycle tristate operations.

Time to tristate (t_{pZ}), 2 k Ω and 15 pF load	6.2 ns, nominal
Programmable Function Interface (PFI)	
Number of channels	4
Direction control	Per channel
Clock terminals	
Input	2
Output	2

Related Information

[Triggers](#) on page 21

[Events](#) on page 23

[CLK IN](#) on page 16

[CLK OUT](#) on page 18

Generation Channels

Channels	Data DDC CLK OUT PFI <0..3>
Generation signal type	Single-ended
Generation voltage features, all Data, PFI, and clock channels	
Number of programmable generation voltage levels	1 voltage high level (V_{OH}) Generation voltage low level (V_{OL}) is always set to 0 V
Range	1.2 V to 3.3 V
Resolution	100 mV
DC generation voltage accuracy ³	± 35 mV, typical ± 200 mV, maximum

³ Into 1 M Ω ; does not include system crosstalk.

Table 1. Generation Voltage Levels

Logic Family ⁴	Voltage Low Level (V_{OL})		Voltage High Level (V_{OH})		Accuracy for Nominal Values into 1 M Ω Load
	Nominal	Max	Min	Nominal	
1.2 V ($V_{OH} = 1.2$ V)	0.0 V	0.2 V	1 V	1.2 V	± 35 mV, typical
1.5 V ($V_{OH} = 1.5$ V)			1.3 V	1.5 V	
1.8 V ($V_{OH} = 1.8$ V)			1.6 V	1.8 V	
2.5 V ($V_{OH} = 2.5$ V)			2.3 V	2.5 V	
3.3 V ($V_{OH} = 3.3$ V)			3.1 V	3.3 V	



Note Generation and acquisition sessions share a common voltage resource. Simultaneous operations must be set to the same logic family.

Output impedance	50 Ω , nominal
Maximum allowed DC drive strength per channel, by logic family	
1.2 V	± 12 mA, nominal
1.5 V	± 15 mA, nominal
1.8 V	± 18 mA, nominal
2.5 V	± 25 mA, nominal
3.3 V	± 33 mA, nominal
Data channel driver enable/disable control	Software-selectable: per channel
Channel power-on state	Drivers disabled, 50 k Ω nominal input impedance

⁴ For all data, PFI, and clock channels. Does not include system crosstalk.

Output protection

Range	0 V to 5 V
Duration	Indefinite

Related Information

[CLK OUT](#) on page 18

[DDC CLK OUT](#) on page 19

Acquisition Channels

Channels	Data STROBE PFI <0..3>
Acquisition signal type	Single-ended
Acquisition threshold features, all Data, PFI, and clock channels	
Number of programmable acquisition thresholds	1 ($V_{IH} = V_{IL}$)
Range	0.6 V to 1.65 V
Resolution	50 mV
Accuracy ⁵	± 150 mV, typical $\pm 30\%$, maximum

Table 2. Acquisition Voltage Threshold Accuracy

Logic Family ⁶	Voltage Thresholds Low (V_{IL})		Voltage Thresholds High (V_{IH})	
	Minimum	Typical	Typical	Maximum
1.2 V ($V_{IH}, V_{IL} = 0.60$ V)	420 mV	450 mV	750 mV	780 mV
1.5 V ($V_{IH}, V_{IL} = 0.75$ V)	525 mV	600 mV	900 mV	975 mV
1.8 V ($V_{IH}, V_{IL} = 0.90$ V)	630 mV	750 mV	1.05 V	1.17 V

⁵ Does not include system crosstalk.

⁶ For all data, PFI, and clock channels. Does not include system crosstalk.

Table 2. Acquisition Voltage Threshold Accuracy (Continued)

Logic Family ⁶	Voltage Thresholds Low (V_{IL})		Voltage Thresholds High (V_{IH})	
	Minimum	Typical	Typical	Maximum
2.5 V (V_{IH} , V_{IL} = 1.25 V)	875 mV	1.10 V	1.40 V	1.625 V
3.3 V (V_{IH} , V_{IL} = 1.65 V)	1.155 V	1.50 V	1.80 V	2.145 V



Note Generation and acquisition sessions share a common voltage resource. Simultaneous operations must be set to the same logic family.

Input impedance	High-impedance (50 k Ω), nominal
Input protection ⁷	-1 V to 5 V

Timing

Sample Clock

Sources	<ol style="list-style-type: none"> 1. On Board clock (internal 800 MHz VCO with 32-bit DDS) 2. CLK IN (SMA jack connector) 3. STROBE (Digital Data & Control [DDC] connector; acquisition only)
Frequency range	
On Board clock	100 Hz to 100 MHz
CLK IN	20 kHz to 100 MHz
STROBE	100 Hz to 100 MHz
On Board clock characteristics	
Resolution ⁸	0.2 Hz, maximum
Accuracy ⁹	± 150 ppm + 5 ppm per year

⁶ For all data, PFI, and clock channels. Does not include system crosstalk.

⁷ Internal diode clamps may begin conduction outside the -0.5 V to 3.5 V range.

⁸ Varies with Sample clock frequency. You can query NI-HSDIO for the programmed frequency value.

⁹ Accuracy may be increased by using a higher-performance external Reference clock.

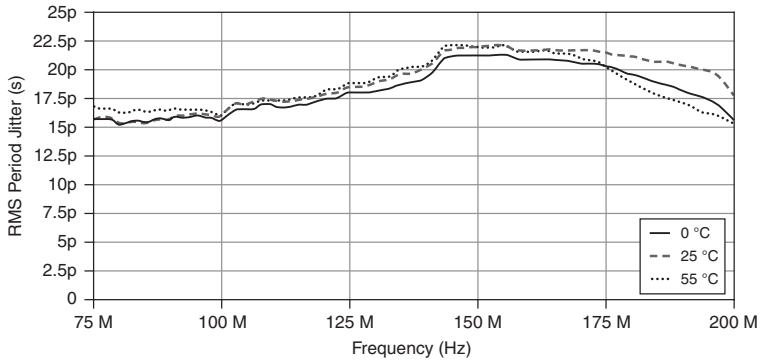
On Board clock characteristics valid only when PLL reference source is set to None

Frequency accuracy	±150 ppm (including temperature effects), typical
Aging	±5 ppm first year, nominal
Sample clock relative delay adjustment ¹⁰	
Range	
Acquisition sessions	0.0 to 1.0 Sample clock periods
Generation sessions	0.0 ns to 5.0 ns
Resolution	0.5 ps
Exported Sample clock destinations	
	DDC CLK OUT (DDC connector) CLK OUT (SMA jack connector)
Exported Sample clock delay	
Range	
	0.0 to 1.0 Sample clock periods
Resolution (δ_C) ¹¹	117 ps to 143 ps, nominal
Frequency	
On Board clock	All supported frequencies
External clock	Frequencies ≥ 20 MHz
Exported Sample clock jitter, using On Board clock	
Period	24 ps _{rms} , characteristic
Cycle-to-cycle	43 ps _{rms} , characteristic

¹⁰ You can apply a delay or phase adjustment to the On Board clock to align multiple devices.

¹¹ Resolution is nonlinearly dependent on clock frequency. You can query clock frequency using NI-HSDIO.

Figure 1. Characteristic Period Jitter (RMS) vs. Frequency



Related Information

[CLK IN](#) on page 16

[STROBE](#) on page 18

Generation Timing

Channels	Data DDC CLK OUT PFI <0..3>
Data channel-to-channel skew ¹²	±300 ps
Maximum data rate per channel	
SDR	100 Mbps
DDR ¹³	200 Mbps



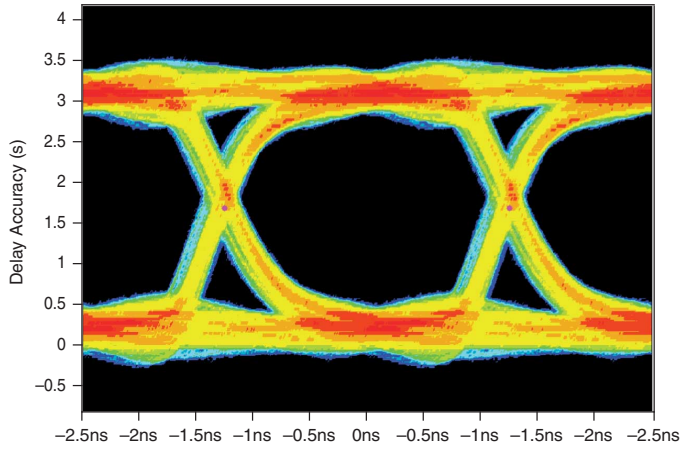
Note Includes maximum data channel-to-channel skew and typical crosstalk.

The following figure shows an eye diagram of a 400 Mbps pseudorandom bit sequence (PRBS) waveform in DDR mode at 3.3 V. This waveform was captured on DIO 0 at room temperature into high impedance.

¹² Maximum skew across all data channels, PFI channels, and voltage levels when using the same data position or data delay bank.

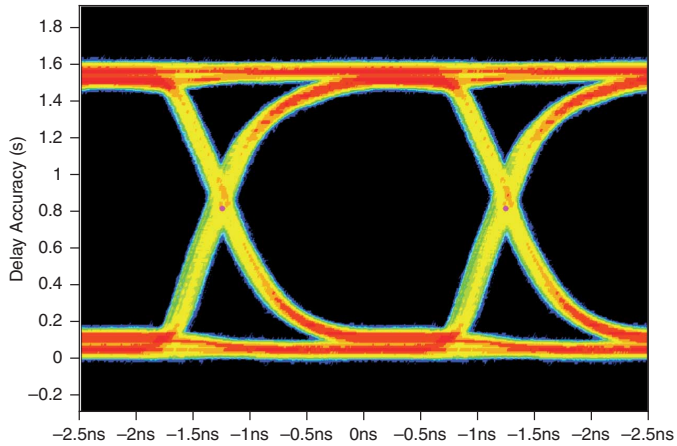
¹³ In DDR mode, the PXIe-6547 generates two samples per clock cycle.

Figure 2. Characteristic Eye Diagram (High Impedance)



The following figure shows an eye diagram of a 400 Mbps PRBS waveform in DDR mode at 3.3 V. This waveform was captured on DIO 0 at room temperature into 50 Ω termination.

Figure 3. Characteristic Eye Diagram (50 Ω Termination, Characteristic)



Data position modes

- Sample clock rising edge
- Sample clock falling edge
- Delay from Sample clock rising edge

Data delay banks

Bank 0	DIO <0..3> DIO <16..19> DIO <28..31> PFI <0..3>
Bank 1	DIO <4..7> DIO <20..23>
Bank 2	DIO <8..15> DIO <24..27>

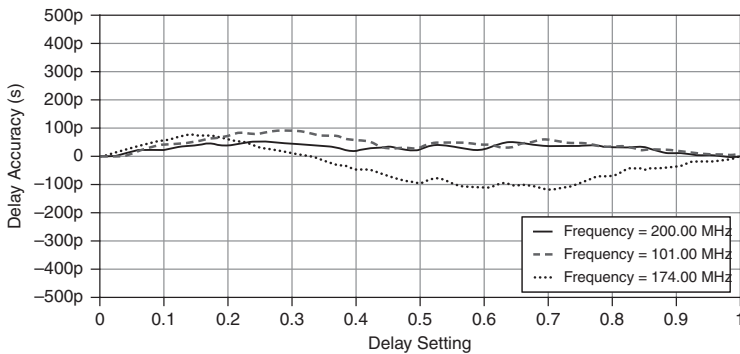


Note Multibank data delay was first available in NI-HSDIO 1.7.

Generation data delay

Range (δ_G)	0.0 to 1.0 Sample clock periods
Resolution (δ_G) ¹⁴	117 ps to 143 ps, nominal
Frequency	
On Board Clock	All supported frequencies
External Clock	Frequencies ≥ 20 MHz

Figure 4. Characteristic Data Delay Accuracy



Exported Sample clock offset (t_{CO}) ¹⁵	0.0 ns or 1.65 ns (default), nominal
Time delay from On Board Sample clock to DDC connector (t_{SCDDC})	8.1 ns, characteristic; Exported Sample clock offset = 0 ns

¹⁴ Resolution is nonlinearly dependent on clock frequency. You can query resolution using NI-HSDIO.

¹⁵ Software-selectable for DDC_CLK_OUT.

Generation Provided Setup and Hold Times

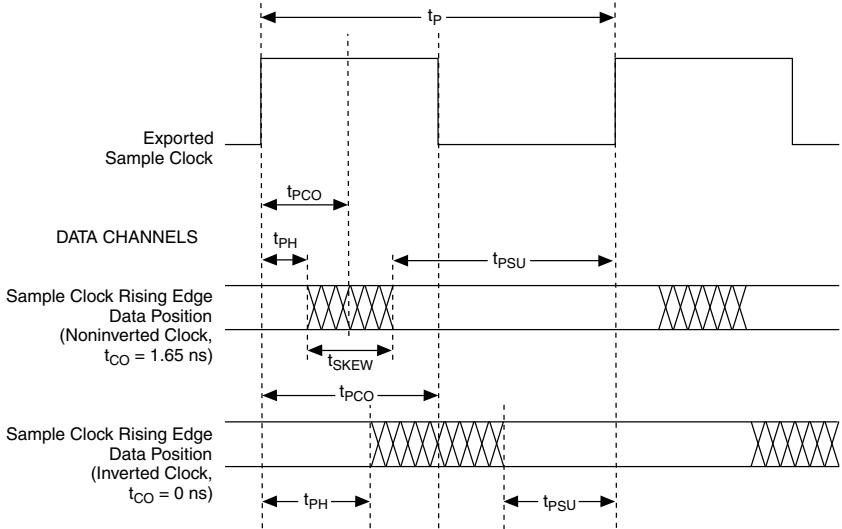
Compare the setup and hold times from the datasheet of your device under test (DUT) to the values in the table. The provided setup and hold times must be greater than the setup and hold times required for the DUT. If you require more setup time, configure your exported Sample clock mode to Inverted and/or delay your clock or data relative to the Sample clock. This table includes worst-case effects of channel-to-channel skew and intersymbol interference.

Exported Sample Clock Offset (t_{PCO})	Minimum Provided Setup Time (t_{PSU})	Minimum Provided Hold Time (t_{PH})
1.65 ns	$t_p - 2.15$ ns	1.15 ns
0.0 ns	$t_p - 500$ ps	-500 ps



Note This table assumes the data position is set to Sample clock rising edge and the noninverted Sample Clock is exported to the DDC connector.

Figure 5. Generation Provided Setup and Hold Times Timing Diagram



$$t_p = \frac{1}{f} = \text{Sample Clock Period}$$

t_{PH} = Minimum Provided Hold Time

t_{PSU} = Minimum Provided Set-Up Time

t_{PCO} = Time from Rising Clock Edge to Data Transition (Provided Clock to Out Time)

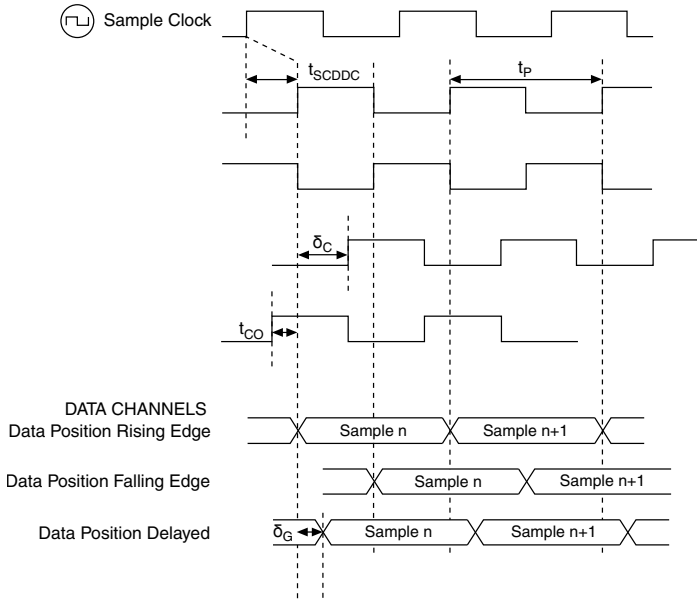
t_{CO} = Exported Sample Clock Offset

t_{SKEW} = Maximum Channel-to-Channel Skew and Clock Uncertainty



Note Provided setup and hold times account for maximum channel-to-channel skew and jitter.

Figure 6. Generation Timing Diagram



t_{SCDDC} : Time Delay from Sample Clock (Internal) to DDC Connector

$0 \leq \delta_C \leq 1$: Exported Sample Clock Delay (Fraction of t_P)

$0 \leq \delta_G \leq 1$: Pattern Generation Data Delay (Fraction of t_P)

$t_P = \frac{1}{f}$ = Period of Sample Clock

t_{CO} = Exported Sample Clock Offset; 1.65 ns, Software-Selectable

Acquisition Timing

Channels

Data

STROBE

PFI <0..3>

Channel-to-channel skew¹⁶

±350 ps

¹⁶ Maximum skew across all data channels, PFI channels, and voltage levels when using the same data position or data delay bank.

Maximum data rate per channel

SDR	100 Mbps
DDR ¹⁷	200 Mbps
Data position modes	Sample clock rising edge Sample clock falling edge Delay from Sample clock rising edge



Note Includes maximum data channel-to-channel skew and typical crosstalk.

Table 3. Setup and Hold Times to STROBE, Characteristic¹⁸

Voltage Threshold	Setup Times (t_{sus})		Hold Time (t_{hs})	
	$f < 20$ MHz	$f \geq 20$ MHz	$f < 20$ MHz	$f \geq 20$ MHz
1.25 V to 1.65 V	2.8 ns	1.15 ns	2.4 ns	900 ps
0.90 V to 1.20 V		1.20 ns		1.00 ns
0.75 V to 0.85 V		1.40 ns		1.10 ns
0.60 V to 0.70 V		1.75 ns		1.25 ns

Setup and hold times to Sample clock¹⁹

Setup time (t_{susc})	900 ps, nominal
Hold time (t_{HSC})	425 ps, nominal

Data delay banks²⁰

Bank 0	DIO <0..3> DIO <16..19> DIO <28..31> PFI <0..3>
Bank 1	DIO <4..7> DIO <20..23>
Bank 2	DIO <8..15> DIO <24..27>

Time delay from DDC connector to internal Sample clock	6.8 ns, nominal
--	-----------------

¹⁷ In DDR mode, the PXIe-6547 generates two samples per clock cycle.

¹⁸ Characteristic includes maximum data channel-to-channel skew and uncertainty, but does not include system crosstalk. Performance may vary with system crosstalk performance.

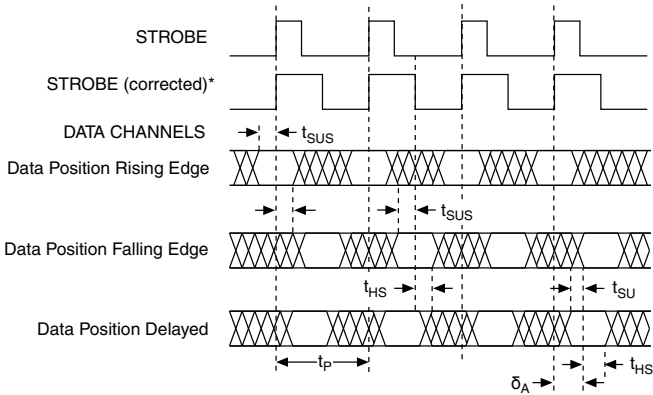
¹⁹ Does not include channel-to-channel skew, t_{DDCSC} , or t_{SCDDC}

²⁰ Multibank data delay was first made available NI-HSDIO 1.7.

Acquisition data delay

Frequency	
On Board clock	All supported frequencies
External clock and STROBE	Frequencies ≥ 20 MHz
Range	0.0 to 1.0 Sample clock periods
Resolution ²¹	117 ps to 143 ps, nominal

Figure 7. Acquisition Timing Diagram Using STROBE as the Sample Clock



t_{SUS} = Set-Up Time to STROBE

t_{HS} = Hold Time from STROBE

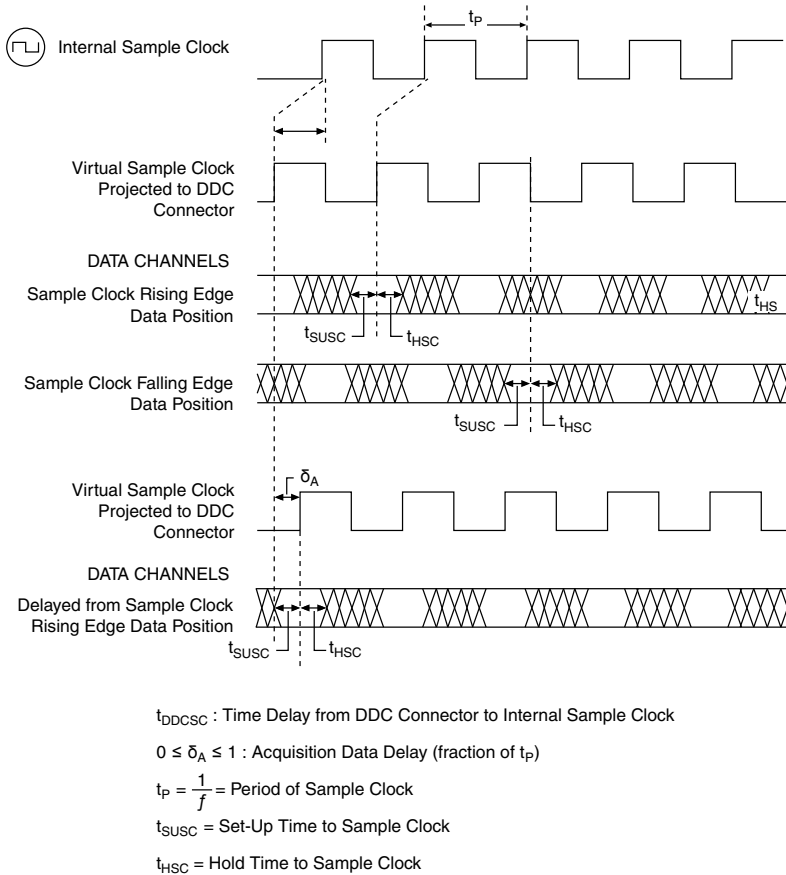
$0 \leq \delta_A \leq 1$: Acquisition Data Delay (fraction of t_p)

$t_p = \frac{1}{f}$ = Sample Clock Period

*Note: When using an external Sample clock greater than 20 MHz, the duty cycle is corrected to 50%.

²¹ Resolution is nonlinearly dependent on clock frequency. You can query resolution using NI-HSDIO.

Figure 8. Acquisition Timing Diagram with Sample Clock Sources Other than STROBE



Related Information

[STROBE](#) on page 18

CLK IN

Connector	SMA jack
Direction	Input
Destinations	1. Reference clock (PLL) 2. Sample clock
Input coupling	AC
Input protection	± 10 VDC, nominal

Input impedance	Software-selectable: 50 Ω (default) or 1 k Ω , nominal
Minimum detectable pulse width	2 ns, nominal
Clock requirements	Free-running (continuous) clock
Waveform Voltage Ranges	
Square wave voltage range	0.65 V_{pk-pk} to 5.0 V_{pk-pk}

Table 4. Sine Wave Voltage Ranges

Voltage Range (V_{pk-pk})	Frequency Range
0.65 to 5.0	20 MHz to 100 MHz
1.0 to 5.0	13 MHz to 100 MHz
1.3 to 5.0	10 MHz to 100 MHz
2.6 to 5.0	5 MHz to 100 MHz

CLK IN Implementations

As Sample clock²²

Frequency range	20 kHz to 100 MHz
Duty cycle range	
$f < 20$ MHz	25% to 75%
$f \geq 20$ MHz	40% to 60%

As Reference clock

Frequency range	5 MHz to 100 MHz (integer multiples of 1 MHz)
Frequency accuracy ²³	$\pm 0.1\%$
Duty cycle range	25% to 75%

Related Information

[Channels](#) on page 2

[Sample Clock](#) on page 6

²² Nominal 3 dB cutoff point at 100 MHz when using 1 k Ω input impedance.

²³ Required accuracy of the external Reference clock source.

STROBE

Connector	DDC
Direction	Input
Destination	Sample clock (acquisition only)
Frequency range	100 Hz to 100 MHz
Duty cycle range (at the programmed threshold)	
$f < 20$ MHz	25% to 75%
$f \geq 20$ MHz	40% to 60% (corrected to 50%)
Minimum detectable pulse width ²⁴	2 ns, nominal
Clock requirements	Free-running (continuous) clock
Input impedance	50 k Ω , nominal

Related Information

[Acquisition Timing](#) on page 13

[Sample Clock](#) on page 6

CLK OUT

Connector	SMA jack
Direction	Output
Sources	1. Sample clock (excluding STROBE) 2. Reference clock (PLL)
Output impedance	50 Ω , nominal
Logic type	Matched with generation and acquisition sessions

Related Information

[Channels](#) on page 2

[Generation Channels](#) on page 3

²⁴ Required at acquisition voltage thresholds.

DDC CLK OUT

Connector	DDC
Direction	Output
Source	Sample clock (generation only)



Note STROBE and acquisition Sample clock cannot be routed to DDC CLK OUT.

Related Information

[Generation Channels](#) on page 3

Reference Clock (PLL)

Sources ²⁵	<ol style="list-style-type: none">1. PXI_CLK100 (PXI Express backplane)2. CLK IN (SMA jack connector)3. None (internal oscillator locked to an internal reference)
Destination	CLK OUT (SMA jack connector)
Lock time	150 ms, maximum (not including software latency)
Frequency range	5 MHz to 100 MHz (integer multiples of 1 MHz), 0.1% required accuracy
Duty cycle range	25% to 75%

Waveform

Memory and Scripting

Memory architecture	This device uses the Synchronization and Memory Core (SMC) technology in which waveforms and instructions share onboard memory. Parameters such as number of script instructions, maximum number of waveforms in memory, and number of samples (S) available for waveform storage are flexible and user defined.
---------------------	--

²⁵ Provides the frequency for the PLL.

Onboard memory size²⁶

1 Mbit per channel	
Acquisition	1 Mbit per channel (4 MBytes total)
Generation	1 Mbit per channel (4 MBytes total)
8 Mbit per channel	
Acquisition	8 Mbit per channel (32 MBytes total)
Generation	8 Mbit per channel (32 MBytes total)
64 Mbit per channel	
Acquisition	64 Mbit per channel (256 MBytes total)
Generation	64 Mbit per channel (256 MBytes total)

Generation

Single-waveform mode	Generates a single waveform once, <i>n</i> times, or continuously
Scripted mode ²⁷	Generates a simple or complex sequence of waveforms.
Finite repeat count	1 to 16,777,216
Waveform quantum ²⁸	
Data width = 4	1 sample
Data width = 2	2 samples
Waveform block size (in physical memory)	
Data width = 4	32 samples
Data width = 2	64 samples

Table 5. Generation Minimum Waveform Size, Samples (S)²⁹

Configuration	Sample Rate
	100 MHz
Single waveform	1 S
Continuous waveform	64 S

²⁶ Maximum limit for generation sessions assumes no scripting instructions.

²⁷ Use scripts to describe the waveforms to be generated, the order in which the waveforms are generated, how many times the waveforms are generated, and how the device responds to Script Triggers.

²⁸ DDR mode sets data width to 2.

²⁹ Sample rate dependent. Increasing sample rate increases minimum waveform size requirement.

Table 5. Generation Minimum Waveform Size, Samples (S)²⁹ (Continued)

Configuration	Sample Rate
	100 MHz
Stepped sequence	64 S
Burst sequence	512 S

Acquisition

Minimum waveform size ³⁰	1 S
Record quantum	1 S
Total number of records ³¹	2,147,483,647
Total pre-Reference trigger samples	0 up to full record
Total post-Reference trigger samples	0 up to full record

Triggers

Types	Sessions	Edge Detection	Level Detection
1. Start	Acquisition and generation	Rising or falling	—
2. Pause	Acquisition and generation	—	High or low
3. Script <0..3>	Acquisition	Rising or falling	High or low
4. Reference	Acquisition	Rising or falling	—

²⁹ Sample rate dependent. Increasing sample rate increases minimum waveform size requirement.

³⁰ Regardless of waveform size, NI-HSDIO allocates at least 640 bytes for a record.

³¹ The session should fetch quickly enough that unfetched data is not overwritten.

Types	Sessions	Edge Detection	Level Detection
5. Advance	Acquisition	Rising or falling	—
6. Stop	Generation	Rising or falling	—

Sources	<ol style="list-style-type: none"> PFI 0 (SMA jack connector) PFI <1..3> (DDC connector) PXI_TRIG <0..7> (PXI Express backplane) Pattern match (acquisition sessions only) Software (user function call) Disabled (do not wait for a trigger)
Destinations, excluding Pause trigger ³²	<ol style="list-style-type: none"> PFI 0 (SMA jack connector) PFI <1..3> (DDC connector) PXI_TRIG <0..6> (PXI Express backplane)
Minimum required trigger pulse width	15 ns
Trigger rearm time	
Start to Reference trigger	150 S, maximum
Start to Advance trigger	220 S, maximum
Advance to Advance trigger	220 S, maximum
Reference to Reference trigger	220 S, maximum
Delay from Pause trigger to Pause state and Stop trigger to Done state ³³	
Generation sessions	50 Sample clock periods + 300 ns, maximum
Acquisition sessions	Synchronous with the data
Delay from Start trigger and Script trigger to digital data output	3 Sample clock periods + 600 ns, maximum

Related Information

[Channels](#) on page 2

³² Each trigger can be routed to any destination except the Pause trigger. The Pause trigger cannot be exported.

³³ Use the Data Active event during generation to determine on a sample-by-sample basis when the device enters the Pause or Done states.

Events

Types	Sessions
1. Marker <0..2>	Generation
2. Data Active	Generation
3. Ready for Start	Acquisition and generation
4. Ready for Advance	Acquisition
5. End of Record	Acquisition

Destinations (excluding Data Active event)³⁴

1. PFI 0 (SMA jack connectors)
2. PFI <1..3> (DDC connector)
3. PXI_TRIG <0..6> (PXI Express backplane)

Marker time resolution (placement)

SDR	Can be placed at any sample
DDR	Must be placed at an integer multiple of two samples

Related Information

[Channels](#) on page 2

Software

Driver Software

Driver support for this device was first available in NI-HSDIO 1.6.

NI-HSDIO is an IVI-compliant driver that allows you to configure, control, and calibrate the PXIe-6547. NI-HSDIO provides application programming interfaces for many development environments.

Application Software

NI-HSDIO provides programming interfaces, documentation, and examples for the following application development environments:

- LabVIEW
- LabWindows™/CVI™
- Measurement Studio

³⁴ The Data Active event can only be routed to the PFI channels.

- Microsoft Visual C/C++
- .NET (C# and VB.NET)

NI Measurement Automation Explorer

NI Measurement Automation Explorer (MAX) provides interactive configuration and test tools for the PXIe-6547. MAX is included on the NI-HSDIO media.

Power



Note Characteristic results are commensurate with an average user application using all data channels into high impedance load. Maximum results include worst-case data pattern.

VDC	Current, Characteristic	Current, Maximum
+3.3 V	1.75 A	1.77 A
+12 V	2.2 A	2.3 A

Total power	32.2 W, characteristic 33.5 W, maximum
-------------	---

Warm-up time	15 minutes
--------------	------------

Physical

Dimensions	Single 3U, CompactPCI Express slot, PXI Express compatible 21.6 cm × 2.0 cm × 13.0 cm
------------	--

Weight	519 g (18.3 oz)
--------	-----------------

I/O Panel Connectors

Label	Connector Type	Description
CLK IN	SMA jack	External Sample clock, external Reference clock
PFI 0		Events, triggers
CLK OUT		External Sample clock, exported Reference clock
DIGITAL DATA & CONTROL	68-pin VHDCI	Digital data channels, exported Sample clock, STROBE, events, triggers

Environment



Note To ensure that the PXIe-6547 cools effectively, follow the guidelines in the *Maintain Forced Air Cooling Note to Users* included with the PXIe-6547 or available at ni.com/manuals. The PXIe-6547 is intended for indoor use only.

Operating temperature	0 °C to 55 °C in all NI PXI Express chassis and hybrid NI PXI Express chassis
Operating relative humidity	10 to 90% relative humidity, noncondensing (meets IEC 60068-2-56)
Storage temperature	-20 °C to 70 °C
Storage relative humidity	5 to 95% relative humidity, noncondensing (meets IEC 60068-2-56)
Operating shock	30 g, half-sine, 11 ms pulse (meets IEC 60068-2-27; test profile developed in accordance with MIL-PRF-28800F)
Operating vibration	5 Hz to 500 Hz, 0.31 g _{rms} (meets IEC 60068-2-64)
Storage shock	50 g, half-sine, 11 ms pulse (meets IEC 60068-2-27; test profile developed in accordance with MIL-PRF-28800F)
Storage vibration	5 Hz to 500 Hz, 2.46 g _{rms} (meets IEC 60068-2-64; test profile exceeds requirements of MIL-PRF-28800F, Class B)

Altitude	0 to 2,000 m above sea level (at 25 °C ambient temperature)
Pollution degree	2

Compliance and Certifications

Safety

This product is designed to meet the requirements of the following electrical equipment safety standards for measurement, control, and laboratory use:

- IEC 61010-1, EN 61010-1
- UL 61010-1, CSA C22.2 No. 61010-1



Note For UL and other safety certifications, refer to the product label or the [Online Product Certification](#) section.

Electromagnetic Compatibility

This product meets the requirements of the following EMC standards for electrical equipment for measurement, control, and laboratory use:

- EN 61326-1 (IEC 61326-1): Class A emissions; Basic immunity
- EN 55011 (CISPR 11): Group 1, Class A emissions
- EN 55022 (CISPR 22): Class A emissions
- EN 55024 (CISPR 24): Immunity
- AS/NZS CISPR 11: Group 1, Class A emissions
- AS/NZS CISPR 22: Class A emissions
- FCC 47 CFR Part 15B: Class A emissions
- ICES-001: Class A emissions



Note In the United States (per FCC 47 CFR), Class A equipment is intended for use in commercial, light-industrial, and heavy-industrial locations. In Europe, Canada, Australia, and New Zealand (per CISPR 11), Class A equipment is intended for use only in heavy-industrial locations.



Note Group 1 equipment (per CISPR 11) is any industrial, scientific, or medical equipment that does not intentionally generate radio frequency energy for the treatment of material or inspection/analysis purposes.



Note For EMC declarations, certifications, and additional information, refer to the [Online Product Certification](#) section.



Caution Refer to the *Read Me First: Safety and Electromagnetic Compatibility* document for important safety and electromagnetic compatibility information. To

obtain a copy of this document online, visit ni.com/manuals and search for the document title.



Caution To ensure the specified EMC performance, operate this product only with shielded cables and accessories. Do not use unshielded cables or accessories unless they are installed in a shielded enclosure with properly designed and shielded input/output ports and connected to the product using a shielded cable. If unshielded cables or accessories are not properly installed and shielded, the EMC specifications for the product are no longer guaranteed.



Note SHC68-C68-D4 shielded cable and the provided snap-on ferrite beads, National Instruments part number 711627-01, must be used when operating the PXIe-6547.



Caution To ensure the specified EMC performance, the length of all I/O cables must be no longer than 3 m (10 ft).



Caution To ensure the specified EMC performance, you must install PXI EMC Filler Panels, National Instruments part number 778700-01, in all open chassis slots.

CE Compliance

This product meets the essential requirements of applicable European Directives, as follows:

- 2014/35/EU; Low-Voltage Directive (safety)
- 2014/30/EU; Electromagnetic Compatibility Directive (EMC)

Online Product Certification

Refer to the product Declaration of Conformity (DoC) for additional regulatory compliance information. To obtain product certifications and the DoC for this product, visit ni.com/certification, search by model number or product line, and click the appropriate link in the Certification column.

Environmental Management

NI is committed to designing and manufacturing products in an environmentally responsible manner. NI recognizes that eliminating certain hazardous substances from our products is beneficial to the environment and to NI customers.

For additional environmental information, refer to the *Minimize Our Environmental Impact* web page at ni.com/environment. This page contains the environmental regulations and directives with which NI complies, as well as other environmental information not included in this document.

Waste Electrical and Electronic Equipment (WEEE)



EU Customers At the end of the product life cycle, all NI products must be disposed of according to local laws and regulations. For more information about how to recycle NI products in your region, visit ni.com/environment/weee.

电子信息产品污染控制管理办法（中国 RoHS）



中国客户 National Instruments 符合中国电子信息产品中限制使用某些有害物质指令 (RoHS)。关于 National Instruments 中国 RoHS 合规性信息，请登录 ni.com/environment/rohs_china。(For information about China RoHS compliance, go to ni.com/environment/rohs_china.)

Information is subject to change without notice. Refer to the *NI Trademarks and Logo Guidelines* at ni.com/trademarks for information on NI trademarks. Other product and company names mentioned herein are trademarks or trade names of their respective companies. For patents covering NI products/technology, refer to the appropriate location: **Help>Patents** in your software, the `patents.txt` file on your media, or the *National Instruments Patent Notice* at ni.com/patents. You can find information about end-user license agreements (EULAs) and third-party legal notices in the `readme` file for your NI product. Refer to the *Export Compliance Information* at ni.com/legal/export-compliance for the NI global trade compliance policy and how to obtain relevant HTS codes, ECCNs, and other import/export data. NI MAKES NO EXPRESS OR IMPLIED WARRANTIES AS TO THE ACCURACY OF THE INFORMATION CONTAINED HEREIN AND SHALL NOT BE LIABLE FOR ANY ERRORS. U.S. Government Customers: The data contained in this manual was developed at private expense and is subject to the applicable limited rights and restricted data rights as set forth in FAR 52.227-14, DFAR 252.227-7014, and DFAR 252.227-7015.

© 2009—2017 National Instruments. All rights reserved.

376441A-01 November 3, 2017